



LED Moving Beam Wash light

Users Manual

SEVEN STARS®

LED Moving Beam Wash light User Manual

Model: LM108

Attention

- 1、 Please read these operating instructions carefully to familiarize you with basic operations of this unit BEFORE USE.
- 2、 Without permitted, it is prohibited to spread the contents of this manual to others.
- 3、 This manual is only to provide related information, and the contents of this manual will be changed at any time without notice.
- 4、 Unless the instructions have already stated, please do not freely modified the unit.

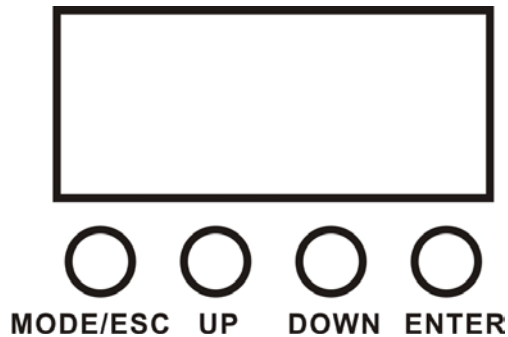
All products made from Big Dipper Laser Company have anti - fake identification. please verify the anti-counterfeit label at the bottom of the case to ensure the interests of consumers.

Technical Specification

Specification	Model LM108
Light Source	36*3W (R8 G10 B10 W8)
Power Supply	100-240V/50-60HZ
Rated Power	150W
Control Mode	Auto/Sound/DMX/Master-slave
DMX Channel	9/16
Size	260*165*265mm
N.W./G.W.	4.8/5.6KGS
Spare parts including	Power Cable x1, Handle x1, Screw x2, User Manual x1

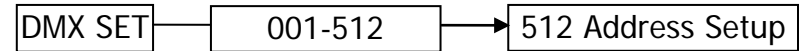
Control Panel Instruction:

- [MODE/ESC] Menu Selection Button.
- [UP] Scrolls through menu items and numbers in ascending order.
- [DOWN] Scrolls through menu items and numbers in descending order.
- [ENTER] Used to select and confirm/store the current selection.

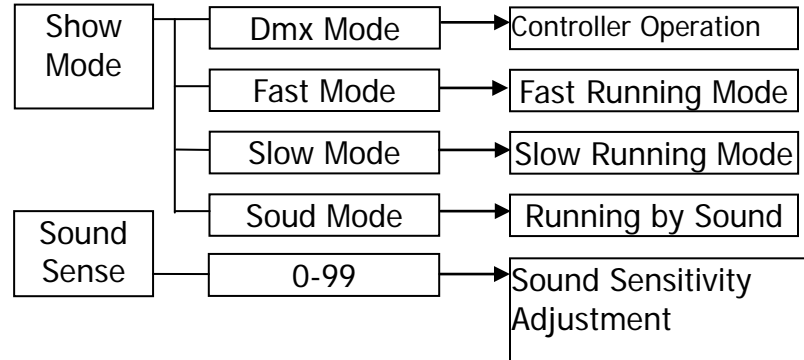


Operation Instruction

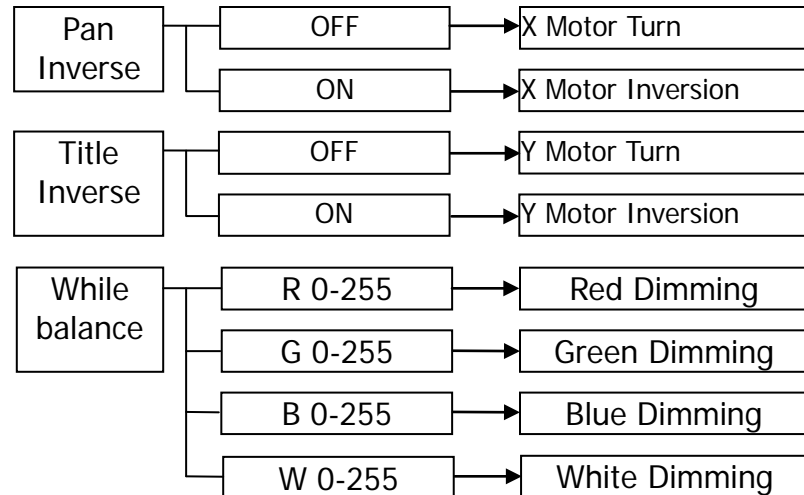
Controller Setting



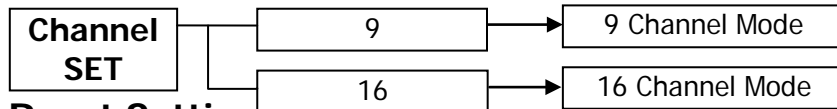
Operation Mode Setup



Motor Rotation Setting



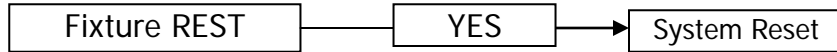
Channel Mode Setting



Reset Setting



Initialization Setting



Remark: When the operation mode is chosen, press the Enter button to run.

9-Channel Mode

Channel			Function
1	0-255	PAN	Up for adjusting positive turn, Down for inversion
2	0-255	TILT	Up for adjusting positive turn, Down for inversion
3	0-255	General Dimming	Adjusting Brightness
4	0-255	R Dimming	Red Brightness Adjustment
5	0-255	G Dimming	Green Brightness Adjustment
6	0-255	B Dimming	Blue Brightness Adjustment
7	0-255	W Dimming	White Brightness Adjustment
8	0-255	Flashstrobe	Stroboflash Adjustment, from slow to fast
9	0-255	Speed	PAN/Tilt Motor Running Speed

16-Channel Mode

Channel	Function	Description
1	0-255	PAN Up for adjusting positive turn, Down for inversion
2	0-255	TILT Up for adjusting positive turn, Down for inversion
3	0-255	General Dimming Adjusting Brightness
4	0-255	R Dimming Red Brightness Adjustment
5	0-255	G Dimming Green Brightness Adjustment
6	0-255	B Dimming Blue Brightness Adjustment
7	0-255	W Dimming White Brightness Adjustment
8	0-255	Flashstrobe Stroboflash Adjustment, from slow to fast
9	0-255	Speed PAN/Tilt Motor Running Speed
10	0-10	Other Channels work
	11-127	Color Combination Change
	128-160	Color saltus step
	161-200	Color gradual change 1
11	201-255	Color gradual change 2
	Speed Adjustment	For the 10 th Channel
12	Built-in Effect	Built-in Effect
13	Built	in Effect Speed Adjustment
14	Fine Adjusting for PAN Running	0-255 Up for adjusting positive turn, Down for inversion
15	Fine Adjusting for TILT Running	0-255 Up for adjusting positive turn, Down for inversion
16	Reset	150-200 Reset